

K-16i RELAY BLOCK

APPLICATION AREA

The K-16i block of relays is designed to detect deteriorated condition of phase-to-phase and phase-to-earth insulation in three-phase networks with insulated neutral point and with the rated voltage up to 500V.

The K16i block of relays combines the following functions of switching relays:

- leakage relay meant to isolate equipment supplied from 500V networks (KZ-1 module)
- relay to monitor presence of phase-to-phase 500V voltages (K24 module).

DESIGN

The K-16i relay block is encapsulated in an enclosure with the IP-20 index of protection and suitable for mounting on the TS-35 DIN rail. The enclosure is provided with plugged connectors to communicate with the following circuits:

- Power supply 24V AC: 6-7;
- KZ-1 module
 - functional contacts: 1, 2, 3 (relay /toggle type),
 - functional contacts: 4, 5 (NO)
 - measuring inputs: 9, 10
- K-24 module:
 - functional contacts: 13, 14 (NC)
 - functional contacts: 15, 16 (N))
 - control inputs: 11, 12

INSTALLATION

The enclosure of the relay is snap-on mounted on a standard top hat mounting rail of 35 mm size. Terminals of the relay are to be connected to the monitored system according to the application diagram with use of LY-1.5...2.5 mm² conductors (lug terminals must be squeezed beforehand on bare ends of connecting conductors).

TECHNICAL PARAMETERS

- Rated power supply voltage 24 V AC
- KZ-1 module
 - Interlock input resistance 25 kΩ ± 20%
 - reclosure factor < 1.5
- K-24 module
 - Range of monitored phase-to-phase voltages: 400÷600 V
 - Rated voltage across contacts 250 V AC
- Rated continuous current of contacts 6 A
- Rated insulation voltage 250 V AC
- Dimensions
 - width 45 mm
 - height 75 mm
 - depth 105 mm
- Index of protection IP 20

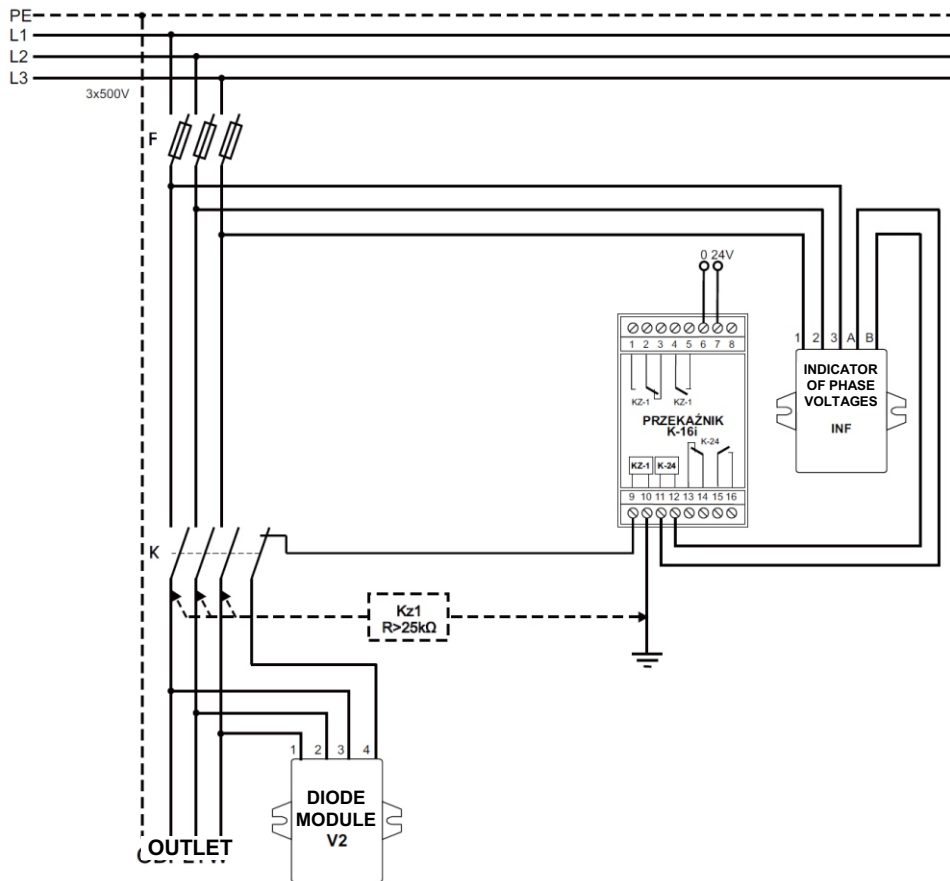


Fig. 1 Application diagram

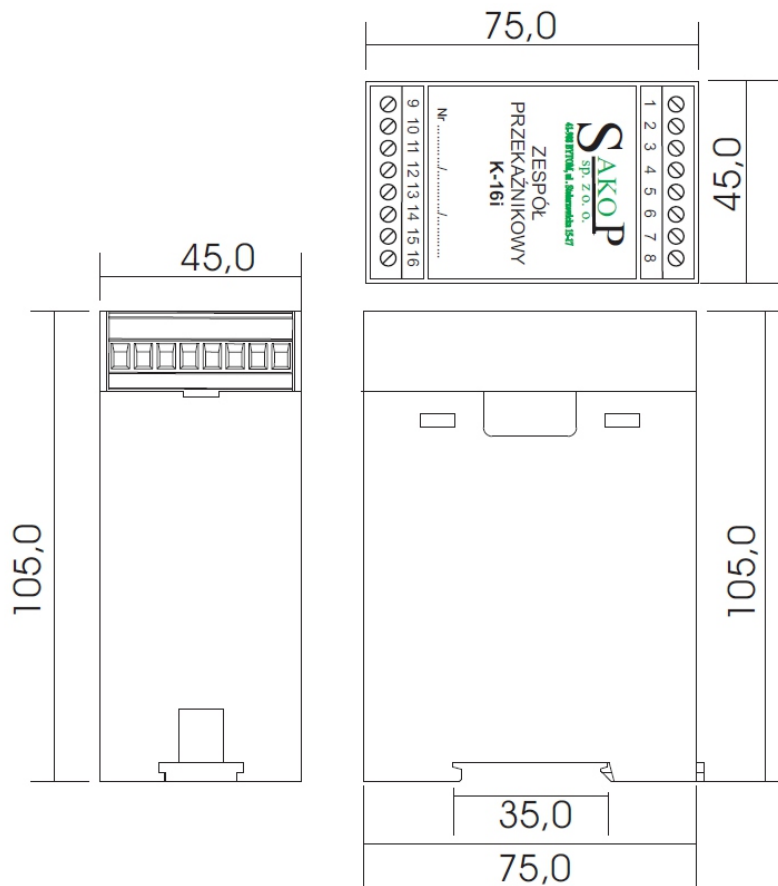


Fig. 2 Dimensional drawing