

# Kz1 LEAKAGE INTERLOCKING RELAY

## TECHNICAL PARAMETERS

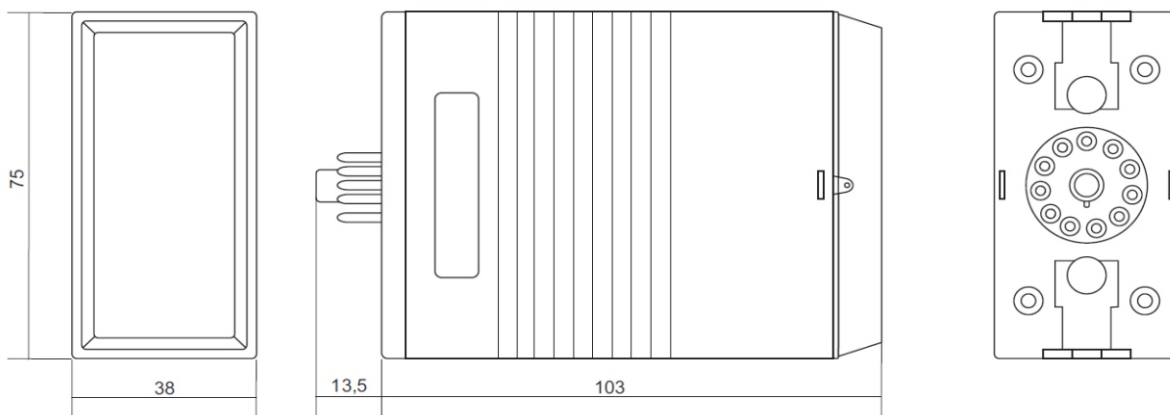
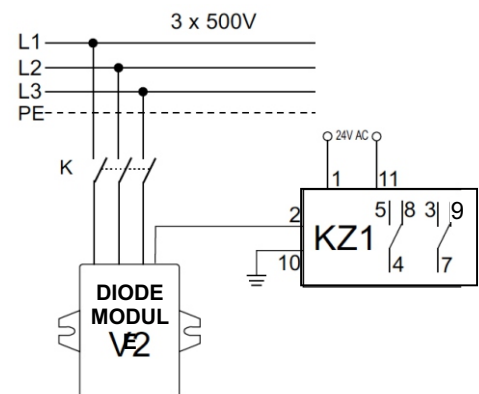
- Power supply voltage  $U_n$  24 V AC
- Permissible fluctuations of power voltage:  $0.8 \div 1.2 U_n$
- Frequency: 50 Hz
- Number and types of contacts: 2 NO, 2 NC, 2 relay (toggled)
- Rated /Maximum voltage across contacts: 250V /440V
- Rated load current for DC and AC loads AC1: 8A/250V AC  
DC1: 8A/24V DC
- Continuous current rating of contacts: 8 A
- Operation temperature:  $-10 \dots +55^\circ\text{C}$
- Sockets: Gz11, G11



## APPLICATION AREA

The Kz1 relay is designed for operation in electric equipment of normal design with the IP54 index of protection.

In electric switches of WSN... type the relay collaborated with the V2 diode module. The combination of Kz1 and V2 devices is meant to detect deteriorated condition of insulation between phase lines and earth in three-phase networks with insulated neutral point and with the rated voltage up to 500V. The relay is able to monitor de-energized circuits also when power voltage is off



v.2