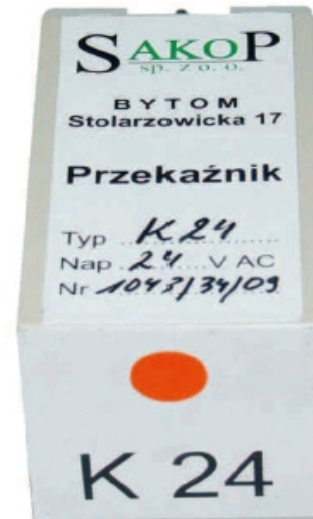


# K-24 RELAY

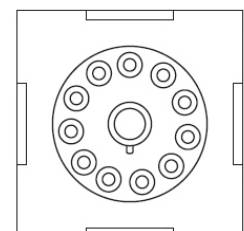
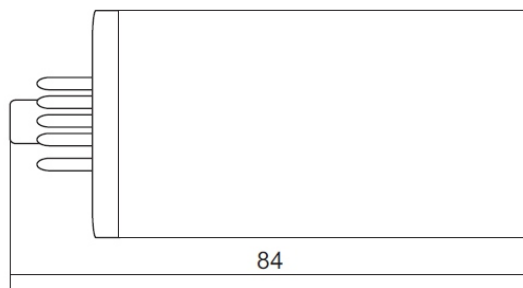
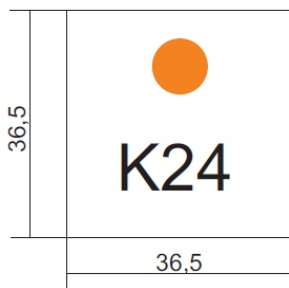
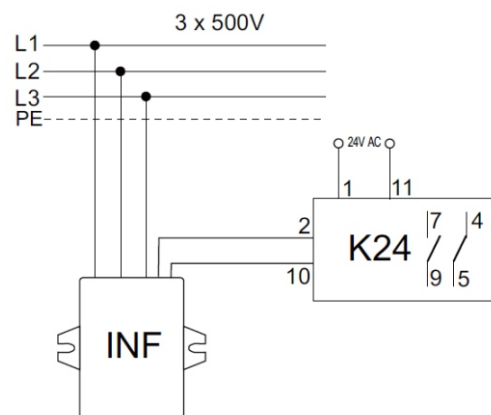
## TECHNICAL PARAMETERS

- Power supply voltage  $U_n$  24 V AC
- Permissible fluctuations of power voltage:  $0.8 \div 1.2 U_n$
- Frequency: 50 Hz
- Number and types of contacts: 2 NO, 2 NC, 2 relay (toggled)
- Rated /Maximum voltage across contacts: 250V /440V
- Rated load current for DC and AC loads AC1: 8A/250V AC  
DC1: 8A/24V DC
- Continuous current rating of contacts: 8 A
- Operation temperature:  $-10 \dots +55^\circ\text{C}$
- Sockets: Gz11, G11



## APPLICATION AREA

The K24 relay is designed for operation in electric equipment of normal design with the IP54 index of protection. In case of the WSN... switch the relay collaborates with the indicator of phase voltages INF as a functional relay. The combination of K24 and INF devices protects against voltage disappearing in at least one input phase line of a device supplied from three-phase electric network.



v.2