

# K-12 RELAY BLOCK

## APPLICATION AREA

The K-12 block of relays is designed for installation in contactor switches or in switching stations of normal design manufactured by SAKOP.

The K-12 block combines the following functions of switching relays:

- leakage shutoff and interlocking relay for 42V or 24 V networks (KZ2 module)
- time-delay relay (KT module)

## DESIGN

The K-12 block of relays is encapsulated in an enclosure with the IP-20 index of protection and suitable for mounting on the TS-35 DIN rail. The enclosure is provided with plugged connectors to communicate with the following circuits:

- KZ2 module:
  - measuring inputs (interlocking circuit): terminals 9-10,
  - measuring inputs (shutoff circuit): terminals 9, 6-7-8,
  - functional contacts: terminals 1-2-3 (relay type) and 4-5 (NO)
- KT module:
  - control inputs: terminals 11-12,
  - functional contacts: terminals 13-14 (NO) and 15-16 (NC)
- power supply 24 V AC: terminals 6-7

## INSTALLATION

The enclosure of the relay block is snap-on mounted on a standard top hat mounting rail of 35 mm size.

The module is to be connected to the monitored network according to the application diagram with use of LY-1.5...2.5 mm<sup>2</sup> conductors (lug terminals must be squeezed beforehand on bare ends of connecting conductors).

## TECHNICAL PARAMETERS

- Rated power supply voltage 24 V AC
- KZ1 module
  - interlock input resistance 7 k $\Omega$   $\pm$  20%
  - shutoff input resistance 4 k $\Omega$   $\pm$  20%
- KT module
  - delay time 5 – 7 s
- Rated voltage across contacts 250 V AC
- Rated continuous current of contacts 6 A
- Rated insulation voltage 250 V AC
- Dimensions (W x H x D) 45 x 75 x 125 mm
- Index of protection IP 20

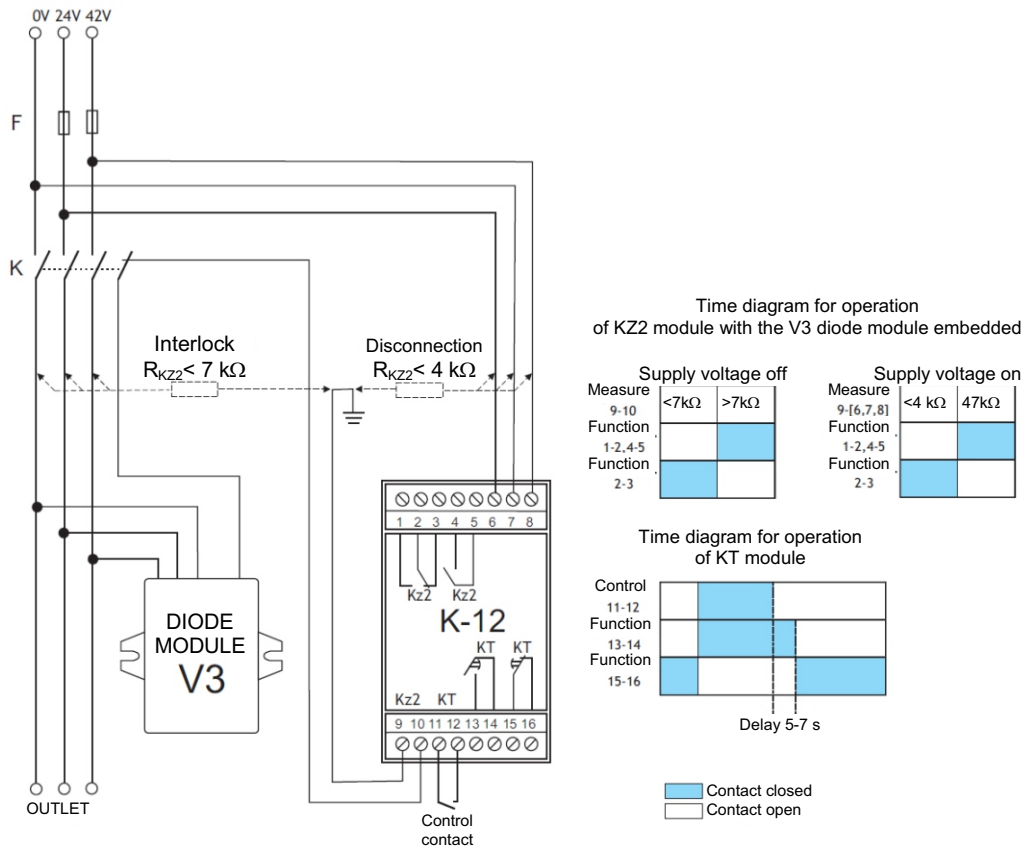


Fig. 1 Application diagram

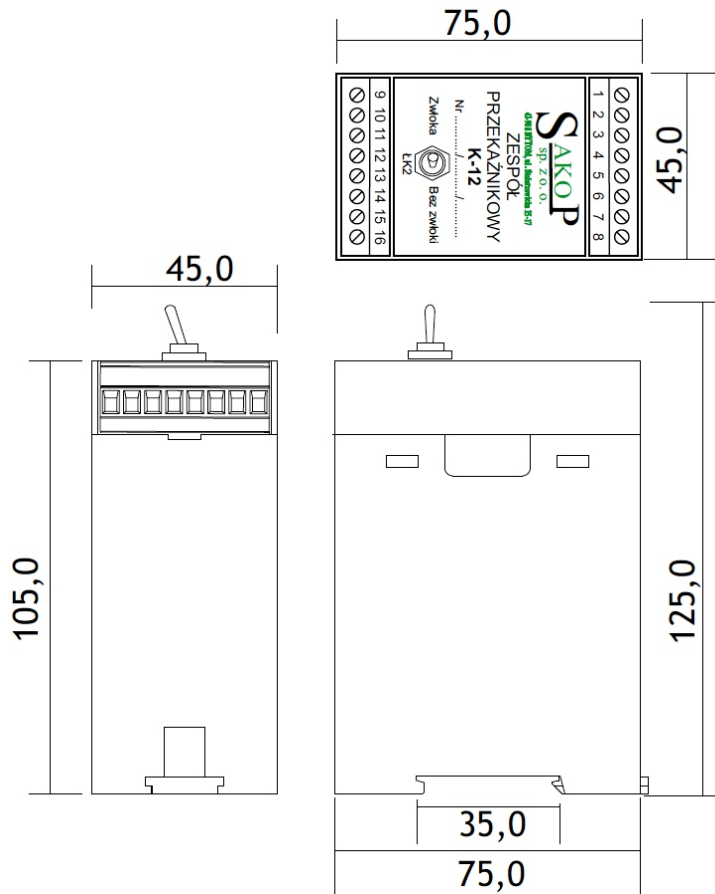


Fig. 2 Dimensional drawing